

ADL-15 series

15W Enclosed Type Switching Power Supply



■ Features:

- Constant voltage design
- Universal AC input / Full range
- Protections: Short circuit / Overload / Over voltage
- Cooling by free air convection
- Compact size
- Low price



ELECTRICAL SPECIFICATION

MODEL	ADL-15-12
OUTPUT	
Rated Voltage	12V
Rated Current	1.25A
Rated Power	15W
Voltage Adjustment – potentiometer VIP1	10.8 ÷ 13.2V
Line Regulation	± 1%
Load Regulation	± 2%
Tolerance [3]	± 5%
Ripple & Noise (max.) [2]	240mV _{p-p}
Setup, Rise Time [4]	500ms, 30ms / 230VAC at full load
Hold up Time	30ms / 230VAC at full load
INPUT	
Voltage Range	100 ÷ 264VAC
Frequency Range	47 ÷ 63Hz
Efficiency (typ.)	80%
AC Current (typ.)	0.3A / 115VAC, 0.18A / 230VAC
PROTECTIONS	
Overload	Range: 105 ÷ 150% rated current
	Type: hiccup mode, auto-recovery.
Short Circuit	Type: hiccup mode, auto-recovery.
Over voltage	13.5 ÷ 18.5V
	Type: hiccup mode, auto-recovery.

ADL-15 series

15W Enclosed Type Switching Power Supply



WORKING ENVIRONMENT

Working Temperature	-20°C ÷ 50°C
Working Humidity	20 ÷ 90% RH non-condensing
Storage Temperature and Humidity	-40°C ÷ 80°C, 10 ÷ 95% RH non-condensing

SAFETY AND EMC REGULATIONS

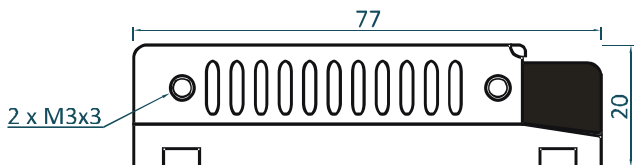
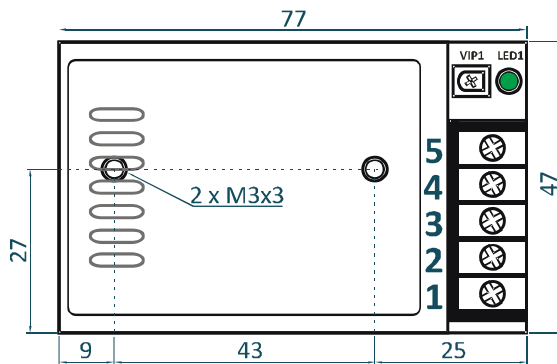
Safety Standards	Compliance to EN61347-1, EN61347-2-13, IP67
Withstand Voltage	I-P/O-P: 1.5kVAC; I-P/GND: 1.5kVAC; O-P/GND: 0.5kVAC
EMC Emission	Compliance to EN55015
EMC Immunity	Compliance to EN61547
Harmonic Current	Compliance to EN61000-3-3; EN61000-3-2

OTHERS

Dimensions	77 x 47 x 20mm (L x W x H)
Weight and Packing	0.095kg; 200pcs./ctn; ctn weight and dimensions: 16.5kg; 46 x 39.3 x 27cm

1. All parameters NOT specially mentioned are measured at 230VAC input, rated load and 25°C of ambient temperature.
2. Ripple & noise are measured at 20MHz of bandwidth by using a 12" twisted pair-wire terminated with a 0.1µF i 47µF parallel capacitor.
3. Tolerance includes set up tolerance, line regulation and load regulation.
4. Setup and rise time is measured from 0 to 90% rated output voltage.
5. Power supply is considered as component not indented to apply by end-user. Power supply meets safety and EMC standards however the final equipment with power supply must be re-quality to comply with EMC Directives.

MECHANICAL SPECIFICATION



TERMINAL PIN NO. ASSIGNMENT

PIN No.	Assignment	PIN No.	Assignment
1	Input: AC/L	4	Output: -V
2	Input: AC/N	5	Output: +V
3	Frame Ground: GND	VIP1	Output voltage adjustment
		LED1	Power On indicator